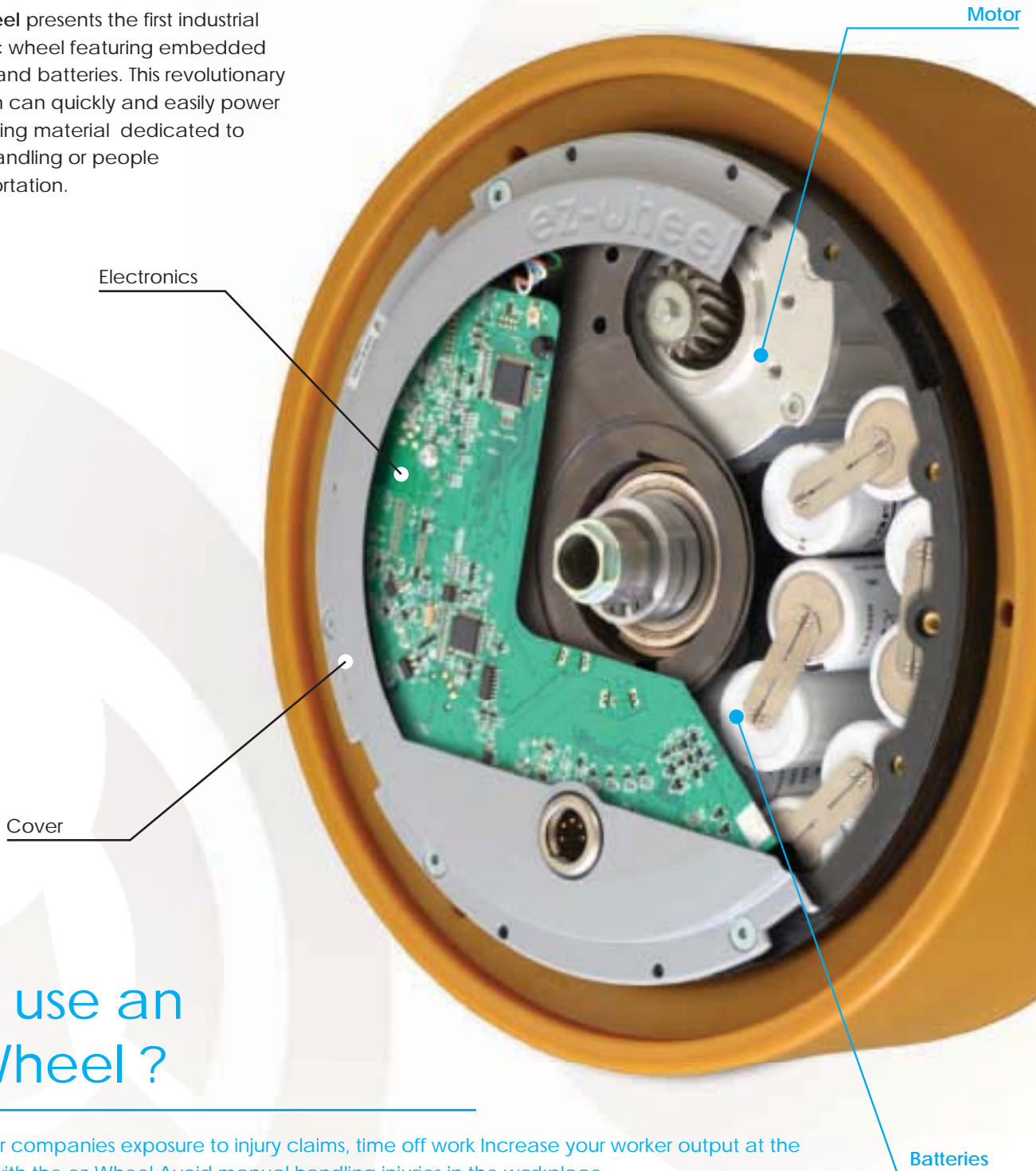


**EZ-WHEEL:
THE ELECTRIC WHEEL**

The first electric wheel integrating motor and batteries



ez-Wheel presents the first industrial electric wheel featuring embedded motor and batteries. This revolutionary solution can quickly and easily power any rolling material dedicated to load handling or people transportation.



Why use an ez-Wheel ?

Reduce your companies exposure to injury claims, time off work Increase your worker output at the same time with the ez-Wheel Avoid manual handling injuries in the workplace

- 11% of manual handling-related RIDDOR (Reporting of Injuries, Diseases and Dangerous Occurrences Regulations) accidents involved pushing and pulling.
- The most frequently reported site of injury was to the back (44%).
- Upper limbs (shoulder, arms, wrist and hand) accounted for 28.6%.
- 61% of accidents involved pushing and pulling objects that were not supported on wheels.
(data from the UK HSE website)

Series 300



- Diameter 300 mm
- Up to 12 km/h
- Moves up to 1000 kg
- Wireless
- Waterproof
- 5 years maintenance-free lifespan
- Quiet

Immediate fitting

The series 300 can be fitted immediately on any vehicle chassis or mobile equipment. No electrical connection is needed, since the wheel is self-powered by the built-in battery and driven by wireless communication.

High torque

The electric motor provides exceptional clearance capability and equipment fitted with the motor can carry loads of several hundred kilograms.



Series 160



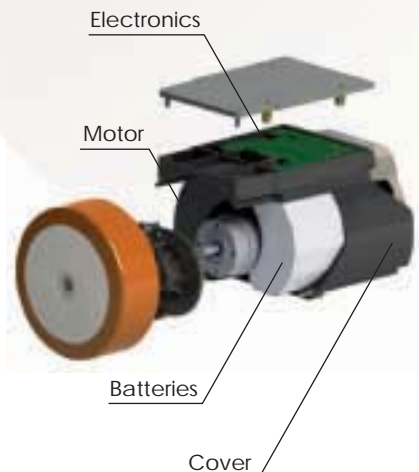
- Diameter 160 mm
- Up to 5 km/h
- Moves up to 500 kg
- Waterproof
- Wired version
- External battery version

Reduced space requirement

The series 160 integrate motor and batteries in an extremely compact format. The wheel is designed with reduced height to fit any low chassis. The robust hub fairing protects all components from knocks and splashing.

Extended compatibility

The series 160 are available with wire connections or with external batteries to allow junctions to other electrical peripherals.



oad handling

e-Wheel self-propelled electric wheels are ideal for handling equipment and moving heavy loads.

The motor control system built into the wheel controls braking as well as traction. This function can, for example, limit equipment speed when handling heavy loads on a slope, making it safer for users.

The wheel can operate over a wide temperature range and its waterproof assembly ensures optimum performance in cold chain logistics.



Healthcare equipment

e-Wheel electric wheels are an effective way of providing electrically powered assistance for mobile medical equipment.

Adding an e-Wheel on hospital equipment provides electric traction which can move hundreds of kilograms, without any operating noise. The help in moving and handling makes equipment comfortable for health care workers to use and protects them from injury when performing repetitive movements.

It can be used for a whole day with no need for recharging thanks to the autonomy of the built-in battery. The wheel can be recharged from time to time, whenever the equipment is connected to the mains.



*Subject to battery selection and frequency of use. Contact us for further details.

Series 10



- 10 inches tyre
- Up to 20 km/h
- Up to 150 kg per wheel
- Up to 20 km of autonomy
- Wireless
- Waterproof

Local authorities and construction

The ez-Wheel modular design gives many possibilities for motorising mobile equipment. It driven or drawn equipment can be electrically power assisted making it easy and safe for users.

Using equipment fitted with self-propelled wheels is very similar to working with manual equipment. Free-wheeling allows ergonomic handling and users immediately get the feel for it. They take to it naturally, with no change in working habits.

In addition to ease of use, power assisted movement of loads by the electric motor is an effective, recognised solution for reducing industrial injuries and the musculoskeletal symptoms frequently experienced by construction workers.



Urban mobility and delivery

The development of clean vehicles is the key path towards sustainable urban mobility. ez-Wheel self-propelled electric wheels offer wide-ranging possibilities for bringing innovative electric and hybrid vehicles on to the market rapidly.

The wheel's robustness and one-piece design make it the perfect solution for fleets of self-service shared vehicles, with the incorporation of a wireless system limiting the risk of vandalism.

The wheel can immediately give electrically powered assistance for any kind of delivery equipment, from a light hand trolley to a 300 kilograms plus delivery tricycle. The electric motor's high torque provides exceptional clearance capability. The wheel's inbuilt autonomy is enough for a whole day of deliveries, stopping and starting hundreds of times.



ez-Wheel ezW160l provides electric assistance to:

- Industrial hand trucks
- Roll carts
- Mobile equipment on concrete surface
- ...

Immediate fitting

The self-propelled ez-Wheel can be fitted immediately on any vehicle chassis or mobile equipment. The wheel is self-powered by the built-in battery and driven by wired or wireless communication.

Reduced space requirement

The series 160 integrate motor and batteries in an extremely compact format. The wheel is designed with reduced height to fit any low chassis. The robust hub fairing protects all components from knocks and splashing.

Reduced pushing effort

The peak torque of the electric motor develops a pushing force of 20 daN. It provides a reduced effort and a safe action of any rolling material equipped with the wheel.

Extended compatibility

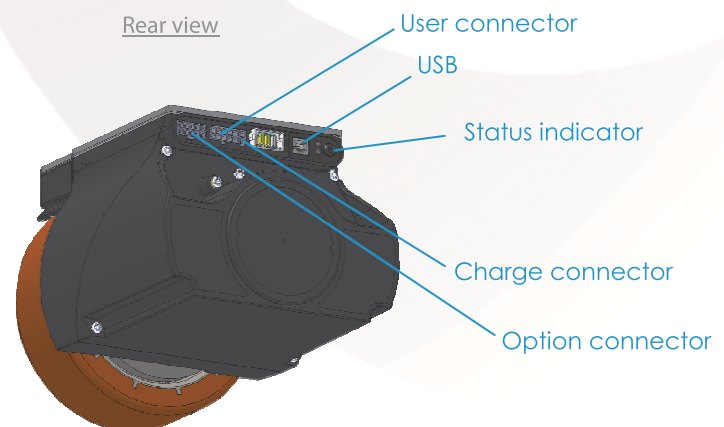
The series 160 are available with wire connections or with external batteries to allow junctions to other electrical peripherals. The motor can also be powered by an external battery, if already available on the material.

Environmentally responsible

The approach to ez-Wheel product design is to minimize environmental impact. Collection and recycling are organized for products reaching the end of their lifecycle. Contact your dealer for more information.



Main specifications	
Diameter	160 mm
Type of tyre	60 sh. A solid tyre Flat profile
Speed	0 to 5 km/h
Nominal Power	70 W (S1 at 4 km/h)
Battery capacity	70 Wh (1 battery) 140 Wh (2 batteries)
Torque peak	17 Nm 20 daN of pushing force
Options	0/1/2 batteries - Brake - Wireless command - Encoder



Caution: if the wheel is to be installed on a vehicle which will be driven, the installer must check if the modification to the vehicle is in compliance with the legislation.

High-Tech built-in solution

All the components necessary for traction are built into the wheel: the electric motor, high energy, very long life batteries, a power controller ensuring optimum motor control and battery management and a wired or wireless interface.

Motor specification

Technology	DC PM
Maximum speed	160 rpm
Nominal power	70 W (\$1 at 130 rpm)
Peak torque	17 Nm

Battery

Electrochemistry	Ni-MH
Energy	0 / 70 / 140 Wh
Lifespan	2 years
Recharge	Charger
Recharging time	2 hours (for 90%)

Interface

Wired	Analogic / Serial
Wireless	2.4 GHz Based on IEEE 802.15.4

Multi-purpose

The wheel can be used inside or outside, over a wide range of temperatures. The components – including the battery – do not need any inspection or maintenance over the product's whole lifespan.

The casing enables the wheel to bear a load of up to 200 kg. The robust assembly can withstand the stresses of knocks and severe vibration.

Conditions of use

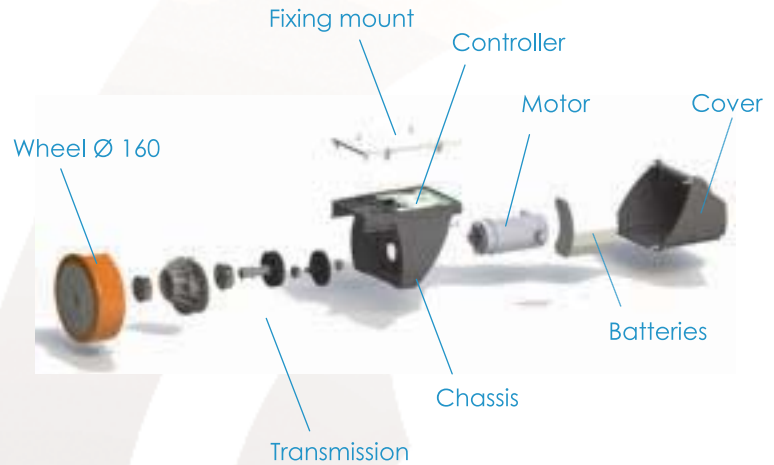
Temperature	-20 to +60°C
IP index	IP54

Weight

Total weight wheel	11 kg
Maximum load	200 kg

Warranty

ez-Wheel products are guaranteed 1 year from the date of purchase. Consult the general conditions of sale for more information.



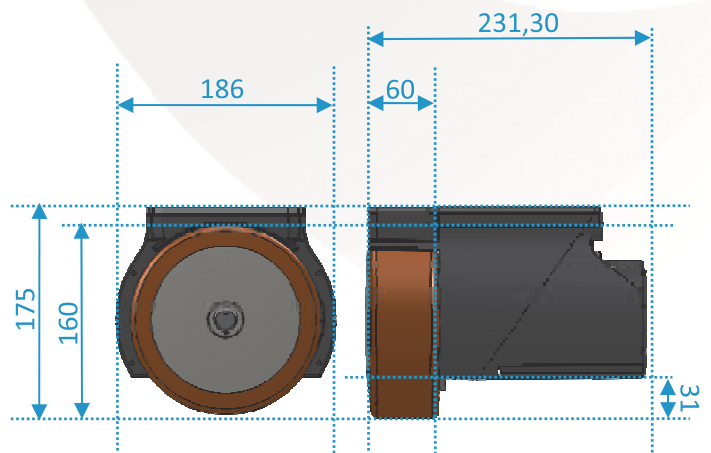
Standard

The standardized dimensions and mechanical interface make it simple and quick to fit the product. The integrated mount is fixed to the chassis with 4 bolts, just like a simple caster.

The wheel hub is fitted with a solid, 15 mm thick polyurethane tyre 60 shore A for drive wheels. The solid tyre does not require any maintenance or servicing and does not need to be replaced.

Functional dimensions

Wheel diameter	160 mm
Thickness of solid tyre	15 mm
Width of solid tyre	60 mm
Total height	175 mm
Total width	186 mm
Total length	231,30 mm
Ground clearance	31 mm



2D and 3D drawings available at www.ez-wheel.com

ez-Wheel **ezW160M** provides electric assistance to:

- Medical beds
- Service trolleys (laundry, food...)
- Operating tables
- ...

Immediate fitting

The self-propelled ez-Wheel can be fitted immediately on any vehicle chassis or mobile equipment. The wheel is self-powered by the built-in battery and driven by wired or wireless communication.

Reduced space requirement

The series 160 integrate motor and batteries in an extremely compact format. The wheel is designed with reduced height to fit any low chassis. The robust hub fairing protects all components from knocks and splashing.

Reduced pushing effort

The peak torque of the electric motor develops a pushing force of 20 daN. It provides a reduced effort and a safe action of any rolling material equipped with the wheel.

Extended compatibility

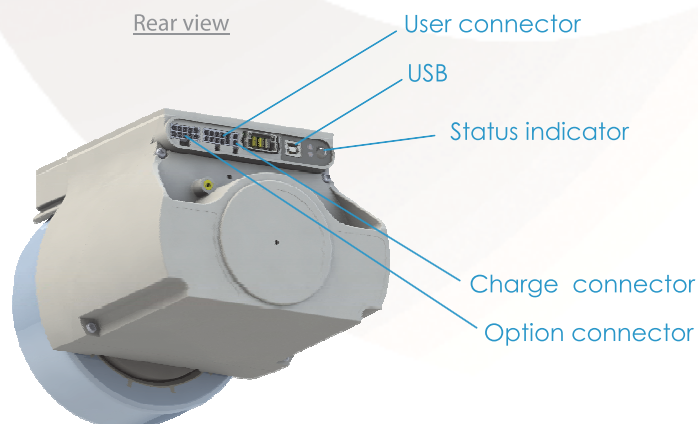
The series 160 are available with wire connections or with external batteries to allow junctions to other electrical peripherals. The motor can also be powered by an external battery, if already available on the material.

Environmentally responsible

The approach to ez-Wheel product design is to minimize environmental impact. Collection and recycling are organized for products reaching the end of their lifecycle. Contact your dealer for more information.



Main specifications	
Diameter	160 mm
Type of tyre	60 sh. A solid tyre Flat profile
Speed	0 to 5 km/h
Nominal Power	70 W (S1 at 4 km/h)
Battery capacity	70 Wh (1 battery) 140 Wh (2 batteries)
Torque peak	17 Nm 20 daN of pushing force
Options	0/1/2 batteries - Brake - Wireless command Encoder



Caution: if the wheel is to be installed on a vehicle which will be driven, the installer must check if the modification to the vehicle is in compliance with the legislation.

High-Tech built-in solution

All the components necessary for traction are built into the wheel: the electric motor, high energy, very long life batteries, a power controller ensuring optimum motor control and battery management and a wired or wireless interface.

Motor specification

Technology	DC PM
Maximum speed	160 rpm
Nominal power	70 W (S1 at 130 rpm)
Peak torque	17 Nm

Battery

Electrochemistry	Ni-MH
Energy	0 / 70 / 140 Wh
Lifespan	2 years
Recharge	Charger
Recharging time	2 hours (for 90%)

Interface

Wired	Analogic / Serial
Wireless	2.4 GHz Based on IEEE 802.15.4

Multi-purpose

The wheel can be used inside or outside, over a wide range of temperatures. The components – including the battery – do not need any inspection or maintenance over the product's whole lifespan.

The casing enables the wheel to bear a load of up to 200 kg. The robust assembly can withstand the stresses of knocks and severe vibration.

Conditions of use

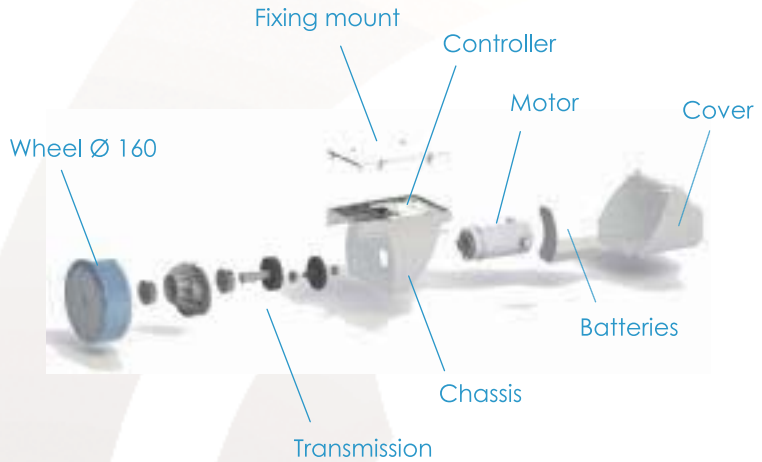
Temperature	-20 to +60°C
IP index	IP67

Weight

Total weight wheel	11 kg
Maximum load	200 kg

Warranty

ez-Wheel products are guaranteed 1 year from the date of purchase. Consult the general conditions of sale for more information.



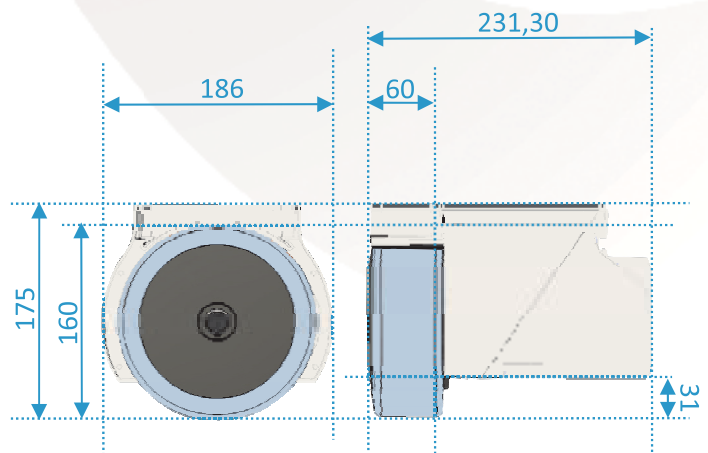
Standard

The standardized dimensions and mechanical interface make it simple and quick to fit the product. The integrated mount is fixed to the chassis with 4 bolts, just like a simple caster.

The wheel hub is fitted with a solid, 15 mm thick polyurethane tyre 60 shore A for drive wheels. The solid tyre does not require any maintenance or servicing and does not need to be replaced.

Functional dimensions

Wheel diameter	160 mm
Thickness of solid tyre	15 mm
Width of solid tyre	60 mm
Total height	175 mm
Total width	186 mm
Total length	231,30 mm
Ground clearance	31 mm



2D and 3D drawings available at www.ez-wheel.com

e-Wheel e W300 can electrically power

- Industrial hand trucks
- Logistics equipment
- Mobile equipment on concrete surface

Immediate fitting

The self-propelled e-Wheel can be fitted immediately on any vehicle chassis or mobile equipment. No electrical connection is needed, since the wheel is self-powered by the built-in battery and driven by wireless communication.

High torque

With peak torque of 55 Nm, the electric motor develops a pushing force of 35 daN. It provides exceptional clearance capability and equipment fitted with the motor can carry loads of several hundred kg.

Compact and robust

All electric propulsion components are built into the hub itself, freeing the whole chassis from batteries or electric switch boxes. The aluminium hub fairing protects all components from knocks and splashing.

Quiet

The motor technology and mechanical transmission are designed to run extremely quietly and vehicles fitted with them do not cause any noise pollution.

Maintenance-free

All components are designed for a maintenance-free lifespan of more than 5 years. The very long-life batteries used in the wheel can sustain thousands of use and recharging cycles.



Main specifications	
Format/Diameter	300 mm
Type of tyre	10 sh. solid tyre flat profile
Speed	0 to 12 km/h
Nominal power	200 W S1 at 6 km/h
Battery capacity	2.0 Wh
Torque peak	55 Nm 35 daN of force
Options	-

Environmentally responsible

The approach to e-Wheel product design is to minimize environmental impact. Collection and recycling are organized for products reaching the end of their lifecycle. Contact your dealer for more information.

Caution: if the wheel is to be installed on a vehicle which will be driven, the installer must check if the modification to the vehicle is in compliance with the legislation.

High-Tech built-in solution

All the components necessary for traction are built into the wheel: the electric motor, high energy, very long life batteries, a power controller ensuring optimum motor control and battery management and a wireless interface.

Motor specification

Technology	Brushless (BLDC PM)
Maximum speed	240 rpm
Nominal power	200 W (S1 at 110 rpm)
Peak torque	55 Nm

Battery

Electrochemistry	Ni-MH
Energy	240 Wh
Lifespan	>5 years
Recharge	Towing/charger
Recharging time	3 hours (for 90%)

Interface

Technology	Wireless (LR WPAN)
Frequency	2.4 GHz
Protocol	Based on IEEE 802.15.4

Multi-purpose

The wheel can be used inside or outside, over a wide range of temperatures. The components – including the battery – do not need any inspection or maintenance over the product’s whole lifespan of more than 5 years.

The aluminium casing enables the wheel to bear a load of up to 300 kg. The robust assembly can withstand the stresses of knocks and severe vibration.

Conditions of use

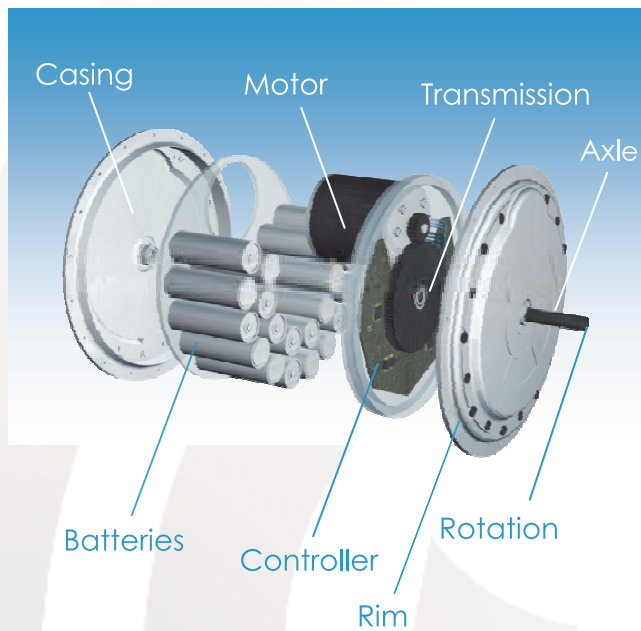
Temperature	-20 to +60°C
IP index	IP65
Maintenance period	>5 years

Weight

Total weight wheel	17 kg
Maximum load	260 kg at 4 km/h 130 kg at 12 km/h

Warranty

ez-Wheel products are guaranteed 1 year from the date of purchase. Consult the general conditions of sale for more information.



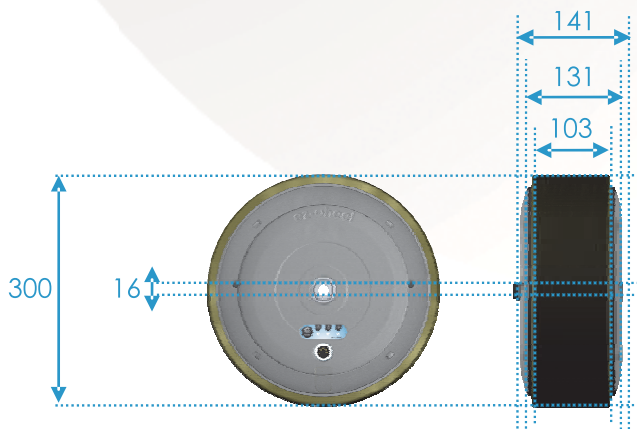
Standard

The standardized dimensions and mechanical interface make it simple and quick to fit the product. The bored axle of the wheel is mounted on a 16 mm shaft just like a free wheel and the rotation stop consists of a locking collar at the end of the axle.

The wheel hub is fitted with a solid, 25 mm thick polyurethane tyre 80 shore A for drive wheels. The solid tyre does not require any maintenance or servicing and does not need to be replaced.

Functional dimensions

Outer diameter	300 mm
Bore diameter	16 mm
Width of solid tyre	103 mm
Thickness of solid tyre	25 mm
Width of wheel	131 mm
Width of axle	141 mm



Design blueprint available on the website www.ez-wheel.com

ez-Wheel ezW300M can electrically power:

Hospital equipment
Stretchers and wheelchairs
Indoor mobile equipment
...

Immediate fitting

The self-propelled ez-Wheel can be fitted immediately on any vehicle chassis or mobile equipment. No electrical connection is needed, since the wheel is self-powered by the built-in battery and driven by wireless communication.

High torque

With peak torque of 55 Nm, the electric motor develops a pushing force of 35 daN. It provides exceptional clearance capability and equipment fitted with the motor can carry loads of several hundred kg.

Compact and robust

All electric propulsion components are built into the hub itself, freeing the whole chassis from batteries or electric switch boxes. The aluminium hub fairing protects all components from knocks and splashing.

Quiet

The motor technology and mechanical transmission are designed to run extremely quietly and vehicles fitted with them do not cause any noise pollution.

Maintenance-free

All components are designed for a maintenance-free lifespan of more than 5 years. The very long-life batteries used in the wheel can sustain thousands of use and recharging cycles.



Main specifications

Format/Diameter	300 mm
Type of tyre	70 sh. A solid tyre Round profile
Speed	0 to 12 km/h
Nominal power/Peak	200 W (S1 at 6 km/h)
Battery capacity	240 Wh
Torque peak	55 Nm 35 daN of force
Options	-

Environmentally responsible

The approach to ez-Wheel product design is to minimize environmental impact. Collection and recycling are organized for products reaching the end of their lifecycle. Contact your dealer for more information.

Caution: if the wheel is to be installed on a vehicle which will be driven, the installer must check if the modification to the vehicle is in compliance with the legislation.

All the components necessary for traction are built into the wheel: the electric motor, high energy, very long life batteries, a power controller ensuring optimum motor control and battery management and a wireless interface.

Motor specification

Technology	Brushless (BLDC PM)
Maximum speed	240 rpm
Nominal power	200 W (S1 to 110 rpm)
Peak torque	55 Nm

Battery

Electrochemistry	Ni-MH
Energy	240 Wh
Lifespan	>5 years
Recharge	Charger
Recharging time	3 hours (for 90%)

Interface

Technology	Wireless (LR WPAN)
Frequency	2.4 GHz
Protocol	Based on IEEE 802.15.4

Multi-purpose

The wheel can be used inside or outside, over a wide range of temperatures. The components – including the battery – do not need any inspection or maintenance over the product's whole lifespan of more than 5 years.

The aluminium casing enables the wheel to bear a load of up to 300 kg. The robust assembly can withstand the stresses of knocks and severe vibration.

Conditions of use

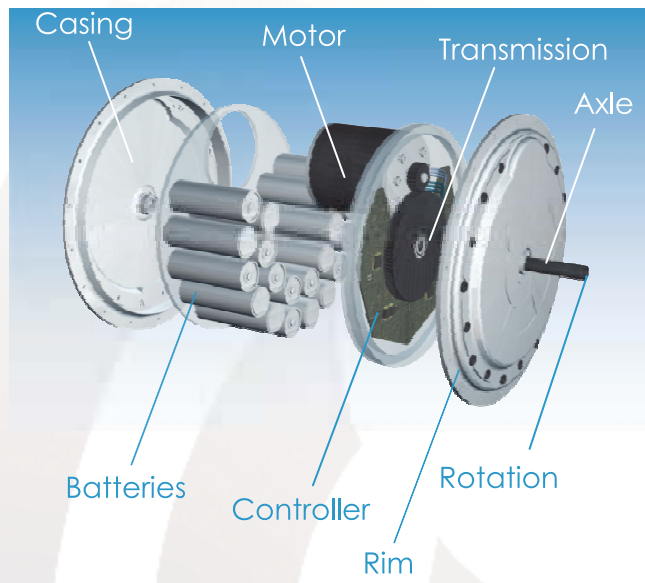
Temperature	-20 to +60°C
IP index	IP65
Maintenance period	>5 years

Weight

Total weight wheel	17 kg
Maximum load	260 kg at 4 km/h 130 kg at 12 km/h

Warranty

ez-Wheel products are guaranteed 1 year from the date of purchase. Consult the general conditions of sale for more information.

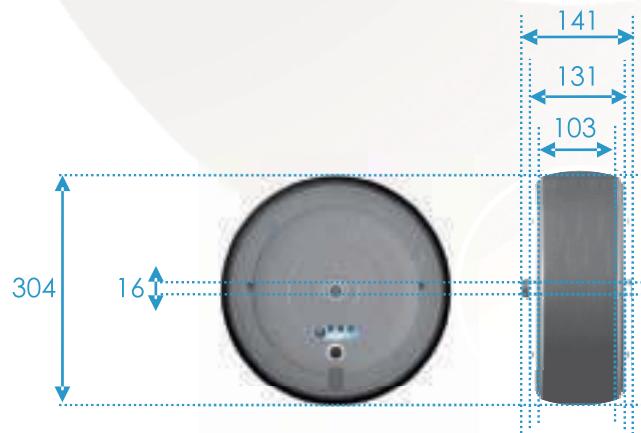


Standard

The standardized dimensions and mechanical interface make it simple and quick to fit the product. The bored axle of the wheel is mounted on a 16 mm shaft just like a free wheel and the rotation stop consists of a locking collar at the end of the axle.

The wheel hub is fitted with a solid, 25 mm thick polyurethane tyre 70 shore A for drive wheels. The solid tyre does not require any maintenance or servicing and does not need to be replaced.

Functional dimensions	
Outer diameter	304 mm
Bore diameter	16 mm
Width of solid tyre	103 mm
Thickness of solid tyre	25 mm
Width of wheel	131 mm
Width of axle	141 mm



Design blueprint available on the website www.ez-wheel.com

ez-Wheel **ezW300S** can electrically power:

- Logistics equipment
- Pushers and industrial trailers
- Mobile equipment on concrete and asphalt surfaces
- ...

Immediate fitting

The self-propelled ez-Wheel can be fitted immediately on any vehicle chassis or mobile equipment. No electrical connection is needed, since the wheel is self-powered by the built-in battery and driven by wireless communication.

High torque

With peak torque of 55 Nm, the electric motor develops a pushing force of 35 daN. It provides exceptional clearance capability and equipment fitted with the motor can carry loads of several hundred kg.

Compact and robust

All electric propulsion components are built into the hub itself, freeing the whole chassis from batteries or electric switch boxes. The aluminium hub fairing protects all components from knocks and splashing.

Quiet

The motor technology and mechanical transmission are designed to run extremely quietly and vehicles fitted with them do not cause any noise pollution.

Maintenance-free

All components are designed for a maintenance-free lifespan of more than 5 years. The very long-life batteries used in the wheel can sustain thousands of use and recharging cycles.



Main specifications

Format/Diameter	300 mm
Type of tyre	65 sh. A solid tyre Tread pattern
Speed	0 to 12 km/h
Nominal power	200 W (S1 at 6 km/h)
Battery capacity	240 Wh
Torque peak	55 Nm 35 daN of force
Options	-

Environmentally responsible

The approach to ez-Wheel product design is to minimize environmental impact. Collection and recycling are organized for products reaching the end of their lifecycle. Contact your dealer for more information.

Caution: if the wheel is to be installed on a vehicle which will be driven, the installer must check if the modification to the vehicle is in compliance with the legislation.

High-Tech built-in solution

All the components necessary for traction are built into the wheel: the electric motor, high energy, very long life batteries, a power controller ensuring optimum motor control and battery management and a wireless interface.

Motor specification

Technology	Brushless (BLDC PM)
Maximum speed	240 rpm
Nominal power	200 W (S1 at 110 rpm)
Peak torque	55 Nm

Battery

Electrochemistry	Ni-MH
Energy	240 Wh
Lifespan	>5 years
Recharge	Towing/charger
Recharging time	3 hours (for 90%)

Interface

Technology	Wireless (LR WPAN)
Frequency	2.4 GHz
Protocol	Based on IEEE 802.15.4

Multi-purpose

The wheel can be used inside or outside, over a wide range of temperatures. The components – including the battery – do not need any inspection or maintenance over the product's whole lifespan of more than 5 years.

The aluminium casing enables the wheel to bear a load of up to 300 kg. The robust assembly can withstand the stresses of knocks and severe vibration.

Conditions of use

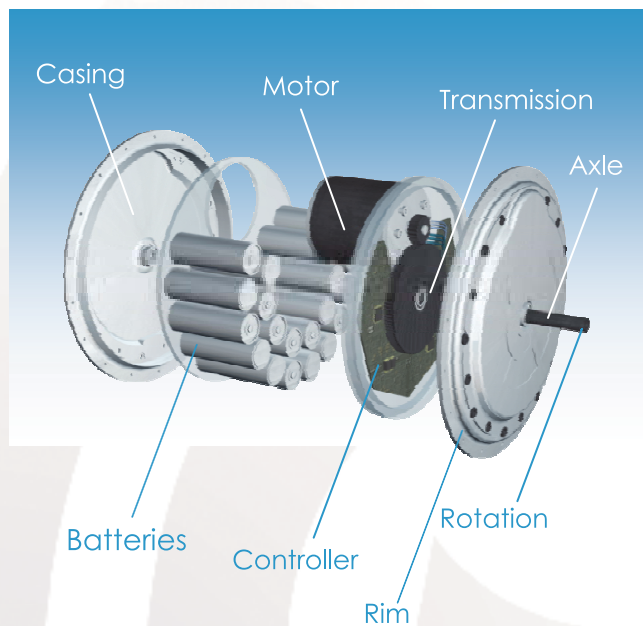
Temperature	-20 to +60°C
IP index	IP65
Maintenance period	>5 years

Weight

Total weight wheel	17 kg
Maximum load	260 kg at 4 km/h 130 kg at 12 km/h

Warranty

ez-Wheel products are guaranteed 1 year from the date of purchase. Consult the general conditions of sale for more information.



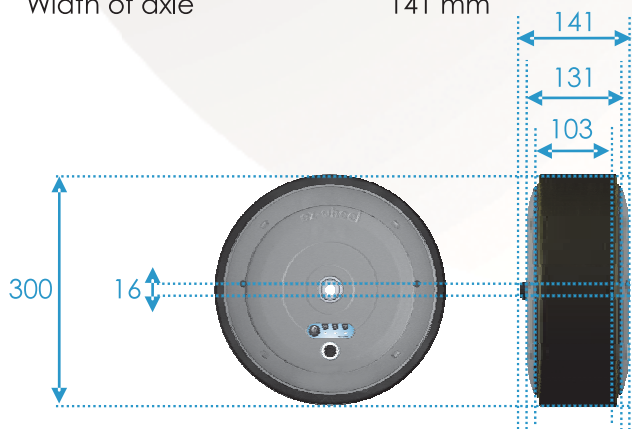
Standard

The standardized dimensions and mechanical interface make it simple and quick to fit the product. The bored axle of the wheel is mounted on a 16 mm shaft just like a free wheel and the rotation stop consists of a locking collar at the end of the axle.

The wheel hub is fitted with a solid, 25 mm thick polyurethane tyre 65 shore A with tread pattern. The solid tyre does not require any maintenance or servicing and does not need to be replaced.

Functional dimensions

Outer diameter	300 mm
Bore diameter	16 mm
Width of solid tyre	103 mm
Thickness of solid tyre	25 mm
Width of wheel	131 mm
Width of axle	141 mm



Design blueprint available on the website www.ez-wheel.com

ez-Wheel **ezW10R/G/A** can electrically power:

- Delivery carts
- Personal carriers
- Urban pedestrian vehicles
- Agricultural equipment
- ...

Immediate fitting

The self-propelled ez-Wheel can be fitted immediately on any vehicle chassis or mobile equipment. No electrical connection is needed, since the wheel is self-powered by the built-in battery and driven by wireless communication.

High torque

With peak torque of 55 Nm, the electric motor provides exceptional clearance capability and equipment fitted with the motor can carry loads of several hundred kg.

Compact and robust

All electric propulsion components are built into the hub itself, freeing the whole chassis from batteries or electric switch boxes. The aluminium hub fairing protects all components from knocks and splashing.

Quiet

The motor technology and mechanical transmission are designed to run extremely quietly and vehicles fitted with them do not cause any noise pollution.

Maintenance free

All components are designed for a maintenance-free lifespan of more than 5 years. The very long-life batteries used in the wheel can sustain thousands of use and recharging cycles.



Main specifications

Format	10"
Speed	0 to 18 km/h
Nominal power/Peak	250 W / 1kW
Battery capacity	240 Wh
Torque peak	55 Nm
Options	Disc brake holder

Environmentally responsible

The approach to ez-Wheel product design is to minimize environmental impact. Collection and recycling are organized for products reaching the end of their lifecycle. Contact your dealer for more information.

Caution: if the wheel is to be installed on a vehicle which will be driven, the installer must check if the modification to the vehicle is in compliance with the legislation.

High-Tech built-in solution

All the components necessary for traction are built into the wheel: the electric motor, high energy, very long life batteries, a power controller ensuring optimum motor control and battery management and a wireless interface.

Motor specification

Technology	Brushless (BLDC PM)
Maximum speed	240 rpm (18km/h)
Nominal power	250 W (S1 at 10 km/h)
Peak power	1 kW
Peak torque	55 Nm

Battery

Electrochemistry	Ni-MH
Energy	240 Wh
Lifespan	>5 years
Recharging time	3 hours (for 90%)

Interface

Technology	Wireless (LR WPAN)
Frequency	2.4 GHz
Protocol	Based on IEEE 802.15.4

Multi-purpose

The wheel can be used inside or outside, over a wide range of temperatures. The components – including the battery – do not need any inspection or maintenance over the product’s whole lifespan of more than 5 years.

The aluminium casing enables the wheel to bear a load of up to 300 kg (150 kg per tyre). The robust assembly can withstand the stresses of knocks and severe vibration.

Conditions of use

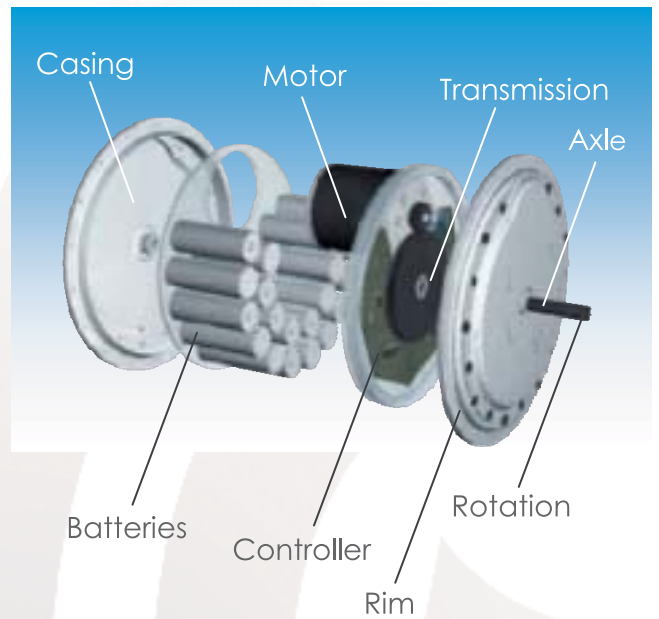
Temperature	-20 to +60°C
IP index	IP65
Maintenance period	>5 years

Weight

Total weight wheel	14.5 kg
Maximum load	150 kg per wheel / tyre

Warranty

ez-Wheel products are guaranteed 1 year from the date of purchase. Consult the general conditions of sale for more information.



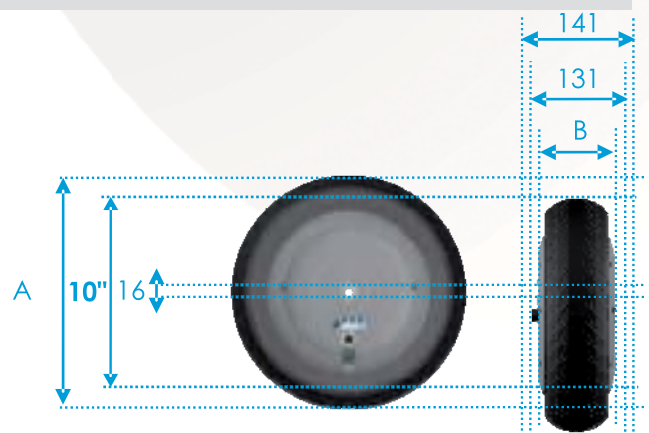
Standard

The standardized dimensions and mechanical interface make it simple and quick to fit the product. The bored axle of the wheel is mounted on a 16 mm shaft just like a free wheel and the rotation stop consists of a locking collar at the end of the axle.

The wheel can be delivered with a “road”, off road or agricultural tyre.

Functional dimensions (mm)

	ezW10R Road	ezW10G Off road	ezW10A Agricultural
Outer diameter (A)	400	465	450
Bore diameter	16	16	16
Width of tyre (B)	103	130	130
Width of wheel	131	131	131
Width of axle	141	141	141



Design blueprint available on the website www.ez-wheel.com

Interface and accessories

Compatibility

		Series 160	Series 160 (wireless)	Series 300	Series 10"
	The multifunction tiller head ezRTH/W ensures a proper handling of equipment thanks to ergonomic shapes and well organised commands (display battery level + system status). For a safe action, stop button included in case of dangerous manipulation.		●	●	●
	Sensitive push bar ezRPP/W: wireless interface which ensures a proper handling as well as a real sensation of effort control (display battery level + system status).			○	
	Wireless interface ezR44IN/W: used to remotely control 1 or 2 wheels. Motor control ensured by a command connected to the wireless interface (see below - displays the battery level + system status).		●	●	●
	The ezATH tiller head: same function as the ezRTH/W but must be connected to a ezR44IN/W		●	●	●
	Wired tiller head ezATH/16	●			
	Rotary handgrip ezARH/5V controls the speed in both directions, forward and backward, with a progressivity depending how you manage the rotary command.		●	●	●
	Rotary handgrip ezARH/160	●			
	The reduced space requirement tiller head ezATHmini perfectly fits small size trolleys and fully matches with operator's habits. Equipped with a stop belly button, it is suitable for a safe operation.		●	●	●
	ezATHmini/160	●			
	ezAV control: throttle control, as commonly found on electric bikes or scooters. Speed control in a single direction.		●	●	●
	Throttle control ezAV2M/160	●			
	ezAARxM-mini: finger size 1-axis joystick control. Speed control in both directions, forward and backward. It can be mounted on the end of a tube, or on a panel.		●	●	●
	ezAAR2M-mini/160	●			
	The ezMCF fixed bracket facilitates the assembly of Series 300 wheels on rolling material (trucks, trolleys, handling tools...)			●	
	ezMCF/10				○
	ezMCS/H: mounting bracket featuring a suspension for height compensation. The ground contact is optimal and the charge on the wheel stays stable, ensuring a good grip for the torque transmission.			●	
	Beside the height compensation, the ezMCS/C offers the possibility to let the battery charger connected to the wheel continuously (caution: suitable for a specific version of the Series 300 wheel)			○	
	ezMAR ring: used to block the rotation of the wheel's axis (needful for every Series 10" or 300)			●	●
	Mascot1A8 charger: can recharge 1 wheel in 5 hours. Compliant with medical standards.		●	●	●
	Mascot4A charger: can recharge 1 wheel in 3 to 4 hours.			●	●
	This extern battery pack offers the possibility to double the autonomy of the Series 160 wheel.	●			
	Double wire ezCYC allows the charge of a Series 10" or 300 wheel + the wireless tiller head ezRTH/W			●	●
	Cable extension 2m ezCCxM for battery charger of Series 10" or 300 wheel			●	●
	Cable extension 2m ezCCxM/160 for battery charger of Series 160 wheel		●		
	ezCRTC: this specific cable, with a rotary collector, allows the continuous connection between the battery charger and a Series 10" or 300 wheel (caution: not suitable with ez-Wheel's fixed or suspended bracket - cantilevered fitting on the face opposite of the charge connector).			○	○

- standard option
- on request - delivery time app. 8 weeks
- on request - delivery time app. 3 months

BIBUS Technology - network of competencies

Headquarters

Switzerland

BIBUS AG
Allmendstrasse 26
8320 FEHRALTORF
Tel. +41 44 877 50 11
Fax +41 44 877 50 19
E-mail: info.bag@bibus.ch
www.bibus.ch

Switzerland

BIBUS HYDRAULIK AG
Allmendstrasse 26
8320 FEHRALTORF
Tel. +41 44 877 52 11
Fax +41 44 877 52 19
E-mail: info.bhag@bibus.ch
www.bhag.bibus.ch

Germany

SAUER BIBUS GmbH
Lise-Meitner-Ring 13
89231 NEU-ULM
Tel. +49 731 18 96 0
Fax +49 731 18 96 199
E-mail: info@sauerbibus.de
www.sauerbibus.de

Subsidiaries

Austria

BIBUS Austria GmbH
Eduard Klinger-Strasse 12
3423 ST. ANDRÄ-WÖRDERN
Tel. +43 2242 33 388
Fax +43 2242 33 388 10
E-mail: info@bibus.at
www.bibus.at

Germany

BIBUS GmbH
Lise-Meitner-Ring 13
DE-89231 NEU-ULM
Tel. +49 731 20 76 90
Fax +49 731 20 76 96 20
E-mail: info@bibus.de
www.bibus.de

Poland

BIBUS MENOS Sp. z o.o.
ul. Spadochroniarzy 18
80-298 GDANSK
Tel. +48 58 660 95 70
Fax +48 58 661 71 32
E-mail: info@bibusmenos.pl
www.bibusmenos.pl

Spain

BIBUS SPAIN, S.L.
Poligono Industrial Porto do Molle
Rua do Arroncal Vial C - Nave 4A
36350 NIGRAN
Tel. +34 986 24 72 86
Fax +34 986 20 92 47
E-mail: info@bibus.es
www.bibus.es

Belarus

BIBUS (BY) COOO
8th Per. Ilyicha 13a, office 2.1
246013 GOMEL
Tel. +375 232 39 09 10
Fax +375 232 39 59 02
E-mail: info@bibus.by
www.bibus.by

Great Britain

BIBUS (UK) Ltd
20 Soho Mills
WOOBURN GREEN
Bucks
HP10 0PF
Tel. +44 1628 533 300
Fax +44 1628 533 377
E-mail: info@bibus.co.uk
www.bibus.co.uk

Portugal

BIBUS Portugal, Lda
Rua 5 de Outubro, 5026
4465-079 S.M. INFESTA, PORTO
Tel. +351 906 50 50
Fax +351 906 50 53
E-mail: info@bibus.pt
www.bibus.pt

Thailand

BIBUS Thailand Company Ltd
68/4-5 Moo 4 Tiwanont Road
Banmai, Muang District
12000 PATUMTHANEE
Tel. +66 2 963 9122

Bulgaria

BIBUS Bulgaria Ltd.
2 Blvd. Prof. Tzvetan Lazarov,
Floor 2
1574 SOFIA
Tel. +359 2 971 98 08
Fax +359 2 927 32 64
E-mail: info@bibus.bg
www.bibus.bg

Hungary

BIBUS Kft
BUDAPEST
Ujhegyi ut 2
1103
Tel. +36 1 265 27 33
Fax +36 1 264 89 00
E-mail: info@bibus.hu
www.bibus.hu

Romania

BIBUS SES SRL
Pestalozzi Street 22
300155 TIMISOARA
Tel. +40 256 200 500
Fax +40 256 220 666
E-mail: office@bibus.ro
www.bibus.ro

Turkey

BIBUS Otomasyon Ltd. Sti.
Necatibey Cad.
Hadi Nasir Hani No. 49 Kat: 2
34425 KARAKÖY / ISTANBUL
Tel. +90 212 293 8200
Fax +90 212 249 8834
E-mail: info@bibus.com.tr
www.bibus.com.tr

Croatia

BIBUS Zagreb d.o.o.
Anina 91
HR-10000 ZAGREB
Tel. +385 1 381 80 04
Fax +385 1 381 80 05
E-mail: bibus@bibus.hr
www.bibus.hr

India

BIBUS Horizon Ltd
D-8, 123, S.F.S #407
2d phase, Yelahanka New Town
BANGALORE 560 106
Tel. +91 80 420 43 502
Fax +91 80 420 43 502
E-mail: info@bibus.in
www.bibus.in

BIBUS EUROFLUID SRL
Str. Scoala de Inot, Nr. 2B/20
550005 SIBIU
Tel. +40 26 920 67 50
Fax +40 26 920 62 75
E-mail: office@bibuseurofluid.ro
www.bibuseurofluid.ro

Ukraine

BIBUS Ukraine TOV
Ul. Mashinobudivnykiv 5a
CHABANY, Kyiv region
08162
Tel. +380 44 545 44 04
Fax +380 44 545 54 83
E-mail: info@bibus.com.ua
www.bibus.com.ua

Czech Republic

BIBUS s.r.o.
Videnska 125
639 27 BRNO
Tel. +420 547 125 300
Fax +420 547 125 310
E-mail: bibus@bibus.cz
www.bibus.cz

Italia

BIBUS Italia Srl
Via dell'Industria 24-26
40050 ARGELATO (BO)
Tel. +39 333 69 444 80
E-mail: info@bibus.it

Russian Federation

BIBUS o.o.o.
Zemskaya street 94
ST. PETERSBURG
198205
Tel. +7 812 309 41 51
Fax +7 812 309 41 51
E-mail: info@bibus.ru
www.bibus.ru

Viet Nam

BIBUS Vietnam Co., Ltd.
Lot No: B2-02-3
Nam Thang Long industrial zone
Tu Liem District
HANOI
Tel. +84 4 356 834 30
Fax +84 4 356 834 29
E-mail: info@bibus.vn
www.bibus.vn

Denmark

A/S H. SINDBY & Co
Edisonvej 11
7100 VEJLE
Tel. +45 75 88 21 22
Fax +45 75 88 22 40
E-mail: sindby@sindby.dk
www.sindby.dk

P.R. China

BIBUS Shanghai Mec., Ltd.
Block 4, 160 Xuanchun Road
Xuanqiao Town, Pudong New Area
201300 SHANGHAI
Tel. +86 21 5803 9270
Fax +86 21 5803 9272
E-mail: info@bibus.cn
www.bibus.cn

Slovakia

BIBUS SK s.r.o.
Trnavska 31
949 01 NITRA
Tel. +421 37 777 79 11
Fax +421 37 777 79 19
E-mail: sale@bibus.sk
www.bibus.sk

Slovenia

INOTEH d.o.o.
K Železnici 7
SI-2345 BISTRICA OB DRAVI
Tel. +386 2 665 11 31
Fax +386 2 665 20 81
E-mail: info@inoteh.si
www.inoteh.si

France

BIBUS France S.A.S.
ZI du Chapotin
233, rue des Frères Voisin
69970 CHAPONNAY
Tel. +33 4 7896 80 00
Fax +33 4 7896 80 01
E-mail: contact@bibusfrance.fr
www.bibusfrance.fr

ENGINEERING
LOGISTICS
SERVICE



- HEADQUARTER
- SUBSIDIARIES