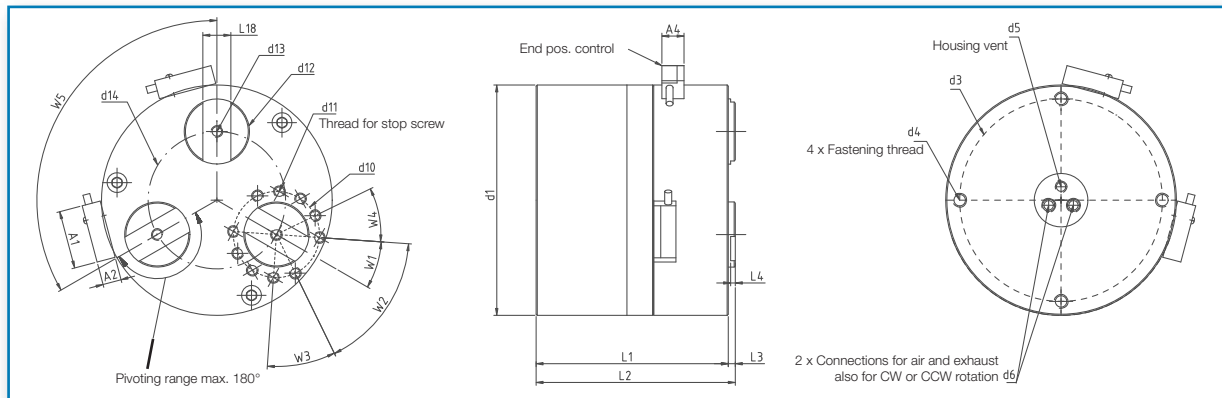


# Clamping modules

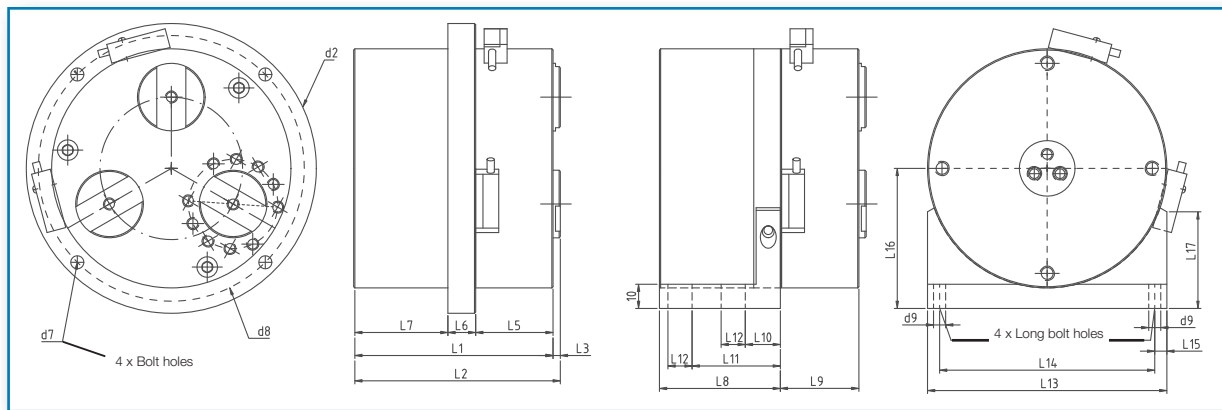
## Three-Pivot-Finger Gripper

### Dimensions



### with mounting flange

### with installation bracket



### The Three-Pivot-Finger Gripper

The pivot fingers are arranged  $120^\circ$  apart and execute rotational movements up to a max. of  $180^\circ$ . Extremely large clamping strokes can be traversed with the corresponding length of clamping jaws.

The clamping jaws can be changed over with just a few hand movements!

If a user clamps geometrically similar, differently dimensioned workpieces, the large clamping strokes often mean there is no need to change over the clamping jaws and this in turn saves tooling time.

To clamp deformation-sensitive parts, the clamping force can be applied very delicately.

The large clamping stroke is easy to limit using fixed stops.

### Features

- The three-pivot-finger gripper comes in 12 different types and a host of variants.
- The clamping finger torques range from 6.5 Nm to 585 Nm.

- The device can be supplied with EX Certificate 94/9/EC (on request), electronic end position control, mounting flange, installation bracket and various external seals.
- Powered by 4 different pneumatic motors and various gears.

### Advantages

- High repeat accuracy!
- Very broad clamping ranges!
- Extra high clamping forces!
- The clamping forces can be applied extremely delicately for deformation-sensitive workpieces!
- Short tooling times!
- Drive with pneumatic motor!
- Housing from hard-coated aluminum!
- Minimum air consumption!
- Drives are maintenance-free and spray-water protected!

### Dimensions without gear

	L 1	L 2	L 3	L 4	L 5	L 6	L 7	L 8	L 9	L 10	L 11	L 12	L 13	L 14	L 15	L 16	L 17	L 18
DSG 0450	82,5	85,5	3	2	32	11,5	39	50	32,5	14,5	36,5	10	99	89	5	58	40	12 H 7
DSG 0900	97	100	3	2	32	11,5	53,5	50	32,5	14,5	36,5	10	99	89	5	58	40	12 H 7
DSG 1800	116	120	4	3	48,5	12,5	55	67	49	16	48	15	159	140	9,5	90	55	20 F 8
DSG 3600	138	142	4	3	48,5	12,5	77	67	49	16	48	15	159	140	9,5	90	55	20 F 8

	d 1	d 2	d 3	d 4	d 5	d 6	d 7	d 8	d 9	d 10	d 11
DSG 0450	99	120	87	M 6x14	M 5x5	M 6x0,75x8	5,4	110	5	37	M 5x7
DSG 0900	99	120	87	M 6x14	M 5x5	M 6x0,75x8	5,4	110	5	37	M 5x7
DSG 1800	159	199	140	M 8x18	M 5x5	R1/8x9	8,5	180	7	56	M 8x8
DSG 3600	159	199	140	M 8x18	M 5x5	R1/8x9	8,5	180	7	56	M 8x8

	d 12	d 13	d 14	W 1	W 2	W 3	W 4	W 5	A 1	A 2	A 4
DSG 0450	28	M 5x12	59	26°	60°	4x30°	4x30°	120°	25	8	9,5
DSG 0900	28	M 5x12	59	26°	60°	4x30°	4x30°	120°	25	8	9,5
DSG 1800	42	M 8x17	93	30°	36°	-	9x36°	120°	25	8	9,5
DSG 3600	42	M 8x17	93	30°	36°	-	9x36°	120°	25	8	9,5

with end position control

### Gripper torque

Gripper torque	without gear	with gear 3 : 1	with gear 9 : 1
DSG 0450	6,5 Nm	19,5 Nm	58,5 Nm
DSG 0900	13 Nm	39 Nm	117 Nm
DSG 1800	32 Nm	96 Nm	288 Nm
DSG 3600	65 Nm	195 Nm	585 Nm

### Dimensions with gear

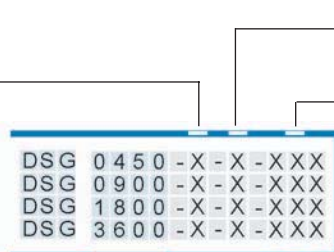
Dimensions with gear	L1 3:1	L 2 3:1	L 7 3:1	L 1 9:1	L 2 9:1	L 7 9:1
DSG 0450	124,5	127,5	81	150,5	153,5	107
DSG 0900	139	142	95,5	165	168	121,5
DSG 1800	166	170	105	197,5	201,5	136,5
DSG 3600	188	192	127	219,5	223,5	158,5

### Pivot angle and weight

	Pivot angle	weight without gear	weight with gear 3 : 1	weight with gear 9 : 1
DSG 0450	max .180°	2,1 kg	3,0 kg	3,8 kg
DSG 0900	max .180°	2,3 kg	3,2 kg	4,0 kg
DSG 1800	max .180°	5,9 kg	8,6 kg	10,4 kg
DSG 3600	max .180°	6,5 kg	9,2 kg	11,0 kg

### Ordering number:

- Standard version = 0
- Standard version with end pos. control = 1
- Mounting flange = 2
- Mounting flange and end pos. control = 3
- Installation bracket (on request) = 4
- Installation bracket and end pos. control (on request) = 5



- 0 = Version IP66 -Standard
- 0 = Standard
- 1 = with EX-Certificate to RL94/9/EG (on request)

Drive-rated load torque at 6 bar in Ncm

- Standard = 0
- Gear with reduction 3:1 = 1
- Gear with reduction 9:1 = 3

- 0 = Standard
- 1 = Silicon free
- 2 = External seals >FPM - FKM< (Viton)
- 3 = with 1 and 2
- 4 = External seals >EPDM - PTFE< (Aceton resistant)
- 5 = with 1 and 4

### Ordering example:

DSG 0450 - 4 - 0 - 0 0 2

### We deliver:

Three-Pivot-Finger Gripper Type DSG 0450 with installation bracket, IP66 - Standard version with Viton seals