

890 Series



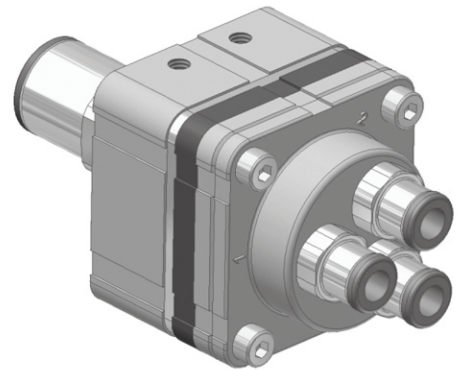
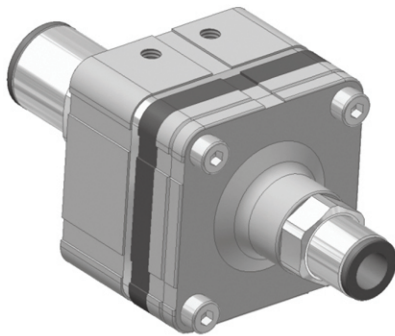
High Performance Solenoid Multi-Valve
PNEUMATIC DIVISION

MATRIX
mechatronics

Developed to satisfy the increasing needs of size reduction and performances optimization for important and technologically evolved industrial sectors such as textile, sorting and packaging, the new 890 Series offers high level technical characteristics and performances.

Matrix's technology applied in the 890 Series, in fact, grants extremely fast response times combined with minimum sizes, ideals for all the applications where the dimension and the actuation speed are critical factors.

Multi-shutters design modularity offers a high flexibility, both in terms of flow rate and of utilizations density, combined with the maintenance-free operating life of half a billion cycles typical of Matrix's products. These characteristics make the new 890 Series the ideal solutions even for the most demanding applications.



Main Features

- Compact dimensions and small footprint (46x46 mm)
- Light weight (160 - 250 g depending on models)
- Modular architecture design (1, 3, or 9 independent outlets)
- Multi-shutters proven technology (variable flowrate for improved flexibility)
- High performances (up to 800 Hz)
- Long operating life (half a billion cycles)
- Maintenance free

